

(800) 635-0298

**DEPURECO**  
INDUSTRIAL VACUUMS (800)MS USA



sales@controlledairdesign.com  
controlledairdesign.com



# BL 45 JC



**Depureco Industrial Vacuums USA**

19121 Marketplace Avenue, Building 1, Suite 165  
Plum Creek Business Park • Kyle • TX 78640

www.depurecousa.com  
info@depurecousa.com

2 HP  
**POWER**

6200 in<sup>2</sup>  
**FILTER**

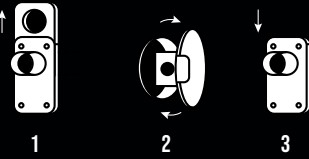
11 gal  
**CAPACITY**

Head with double stage filtration system.

**BRUSHLESS MOTOR**  
120 V

**JET-CLEAN CLEANING SYSTEM**  
Clean the filter with a powerful jet of air without stopping the unit.

**PRESSURE GAUGE**  
Dirty filter indicator.



**[ OPTIONAL ] FILTER CARTRIDGE HEPA H14**

**M CLASS ANTISTATIC CARTRIDGE FILTER**

**INLET WITH DEFLECTOR Ø 2 in**

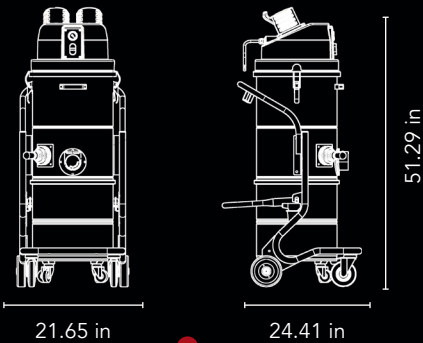
**ALL COMPONENTS ARE GROUNDED**

**STAINLESS STEEL BIN AISI 304**

**11gal**

**HIGHLY TRANSPORTABLE**

**DETACHABLE BIN**



**Weight: 99 lbs**

  
**NFPA 652 Compliance**

  
**ATEX Marking:**  
II 3 D Ex htc III B T140°C Dc

# SPEC SHEET

		<b>Units</b>	<b>BL 45 ATEX Z22</b>
Suction type			Brushless motor
Atex Marking			II 3 D Ex htc III B T284°F Dc
Power		HP	2   1 ~
Voltage   Frequency		V Hz	120   60
Maximum vacuum		inH2O	92
Maximum air flow		CFM	129
Inlet		Ø in	2.75
Noise level - (EN ISO 3744)		dB(A)	72
Bin capacity		gal	11
Dimensions		in	21.46 x 20.32
Height		in	51.29
Weight		lb	99
<b>Primary filter</b>			
Type			Cartridge
Surface area		in <sup>2</sup>   in	6200
(Class EN 60335-2-69)			M Class
Media			Antistatic polyester
Filter cleaning			Jet-Clean
<b>Absolute filter - Optional</b>			
(Class - EN 1822)			
Media		in <sup>2</sup>	H14
In suction			Fiberglass
In suction			Opt H14
Engine air inlet cooling		in <sup>2</sup>	E10
Outgoing engine air cooling			E10

# ACCESSORIES



ATEX STARTER KIT Ø 1.75 in



ATEX KIT PRO Ø 1.75 in

# OPTIONAL



CYCLONIC SEPARATOR



Wet & Dry fixed brush floor tool