



For a cleaner future

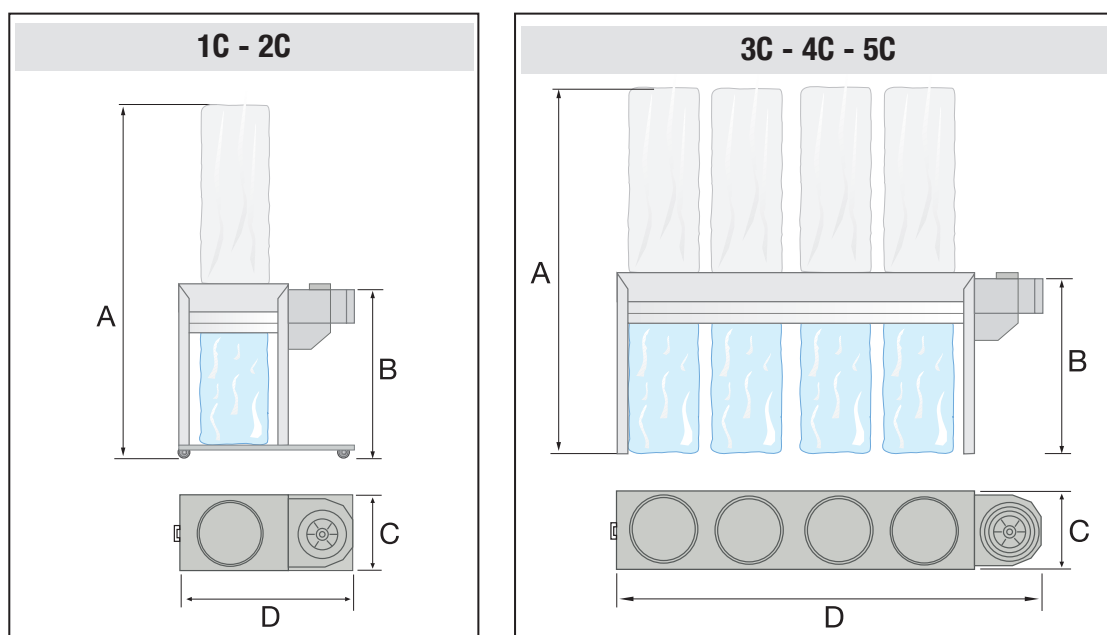


icon

High-efficiency wheeled dust collector for suction and filtration of air streams polluted with dust and chips from wood processing.

**CONVENIENTLY INSTALLED IN ANY ENVIRONMENT
CAN BE EQUIPPED WITH MANUAL OR MOTORIZED
CLEANING CARTRIDGES INSTEAD OF FILTER BAGS
“PLUG & PLAY” SOLUTION, NO INSTALLATION REQUIRED
EXTREME EASE OF MAINTENANCE**

OVERALL DIMENSIONS



ASSEMBLED UNIT

mm - inch

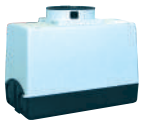
	A	B	C	D
ICON 1C	2700 - 106,3	1200 - 47,3	700 - 27,5	1400 - 55
ICON 2C	2700 - 106,3	1200 - 47,3	700 - 27,5	1750 - 68,9
ICON 3C	2700 - 106,3	1200 - 47,3	700 - 27,5	2400 - 94,5
ICON 4C	2700 - 106,3	1200 - 47,3	700 - 27,5	3000 - 118,2
ICON 5C	2700 - 106,3	1200 - 47,3	700 - 27,5	3600 - 141,8

TECHNICAL FEATURE

	MAXIMUM AIR FLOW	NOMINAL AIR FLOW	AVAILABLE STATIC INLET PRESSURE	POWER	INTAKE OPENING	NUMBER OF COLLECTING BAG	FILTERING SURFACE	WEIGHT
	m ³ /h - cfm	m ³ /h - cfm	mmH ₂ O	HP - kW	Ø mm - inch	Ø 500 mm H 1500 mm Ø 19,7 inch H 59 inch	m ² - sq.ft	Kg - lb
ICON 1C/2	2000 - 1177	2000 - 1177	105	2 - 1,5	180 - 7,08	1	2,5 - 26,9	75 - 165
ICON 1C/3	2500 - 1471	2200 - 1295	120	3 - 2,2	180 - 7,08	1	2,5 - 26,9	78 - 172
ICON 2C/3	3000 - 1765	2800 - 1648	105	3 - 2,2	220 - 8,66	2	5 - 53,8	99 - 218
ICON 2C/4	3500 - 2060	3000 - 1766	125	4 - 3	220 - 8,66	2	5 - 53,8	105 - 231
ICON 3C/4	3500 - 2060	3100 - 1825	115	4 - 3	250 - 9,84	3	7,5 - 80,6	130 - 287
ICON 3C/5,5	4500 - 2648	3800 - 2237	130	5,5 - 4	250 - 9,84	3	7,5 - 80,6	135 - 297
ICON 4C/5,5	5000 - 2942	4200 - 2472	125	5,5 - 4	280 - 11,02	4	10 - 108	168 - 337
ICON 4C/7,5	5500 - 3237	5000 - 2943	145	7,5 - 5,5	280 - 11,02	4	10 - 108	174 - 383
ICON 5C/7,5	6000 - 3531	5500 - 3237	135	7,5 - 5,5	315 - 12,40	5	12,5 - 134	212 - 467
ICON 5C/10	6500 - 3825	6100 - 3531	150	10 - 7,5	315 - 12,40	5	12,5 - 134	223 - 492

Values on this catalogue are indicative and can be subject to modification and improvements.
CORAL reserves the right to change them without previous advice.

OPTIONAL FITTINGS



THERMAL SWITCH INCLUDED



DEFLECTORS



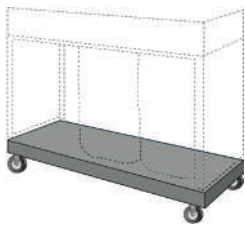
SHUTTERS



FLEXIBLE HOSE CLAMPS



FLEXIBLE HOSE



ICON 3C/4C/5C
WHEELED VERSION

TOTAL PAITING

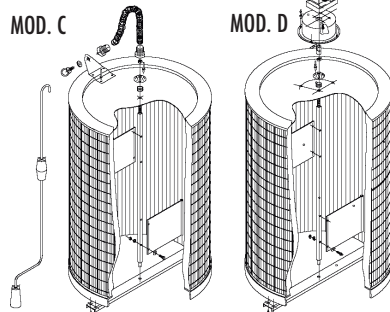
OPTIONAL

The ICON may be supplied with FIL cartridges manual cleaning system "MOD. C" or motorized "MOD. D" (please check the FIL catalogue cartridges) instead of filtering bags.



MOD. C

MOD. D





Innovative Air Solutions

coral.eu

CORAL S.p.a.

Corso Europa, 597 - 10088 Volpiano (Torino) ITALY

T. +39 011 98.22.000 F. +39 011 98.22.033-044 E. coral@coral.eu

Worldwide CORAL companies:

ITALIA

MILANO T. +39 02 95.30.1003
TORINO T. +39 011 99.80.141
VICENZA T. +39 0444 34.93.98
BOLOGNA T. +39 051 69.26.335

FRANCE

LYON T. +33 4 74 944 562
PARIS T. +33 1 60 868 069
POITIERS T. +33 5 49 379 596

GERMANY

LEVERKUSEN T. +49 2171 3664067

UNITED KINGDOM

LITTLEBOROUGH ROCHDALE T. +44 1706 377344

MIDDLE EAST

DUBAI UAE T. +971 56 1028130

INDIA

BANGALORE T. +91 734 888 2333 - 2777

SINGAPORE

SINGAPORE T. +65 88338991

U.S.A.

HOUSTON, TX T. +1 480 796 5352

Coral's goal is to make sure that the people of today-and tomorrow-live in a healthier, more balanced and sustainable world, starting within the workplace. On the preservation of the air we breathe every day depends both our health and the future of our planet, and it is important that this awareness is also being raised in industry.



For a cleaner future.